

4MP WDR VF Vandal-resistant IR Dome Network Camera

IPC3234SR3-DVZ28



Key Features



Optics

- Day/night functionality
- Smart IR, up to 30m (98ft) IR distance
- Up to 120dB Optical WDR (Wide Dynamic Range)
- Lowlight surveillance
- 2D/3D DNR (Digital Noise Reduction)
- Built-in motorized lens for remote zoom

Compression

- Ultra 265, H.264, MJPEG
- Triple streams
- ROI (Region of Interest)

- 9:16 corridor mode

Network

- ONVIF Conformance

Structure

- Support PoE power supply
- Built-in PoE splitter that outputs DC 12V
- Wide temperature range: -40°C ~ 60°C (-40°F ~ 140°F)
- Wide voltage range of ±25%
- IK10 vandal resistant
- IP67

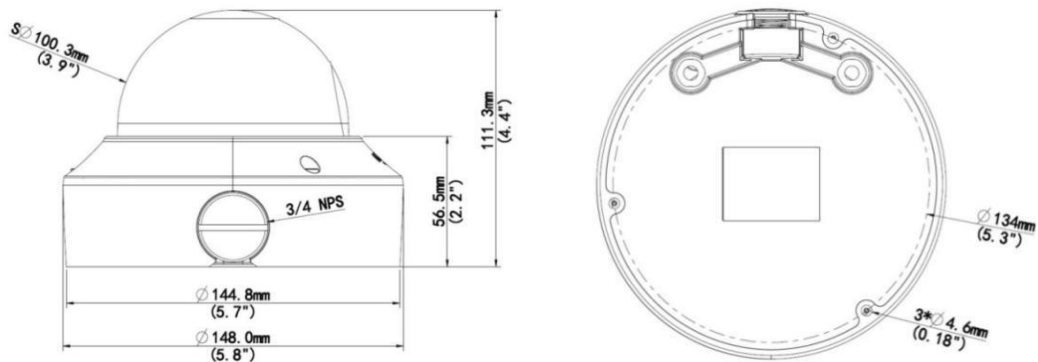
Specifications

| IPC3234SR3-DVZ28 | | | | | | | | | | | | | | | | |
|----------------------|---|-------------------|----------------|-------------------|---------------|--------------|-----|----|------|------|-----|----|-----|-----|----|----|
| Camera | | | | | | | | | | | | | | | | |
| Sensor | 1/3", 4.0 megapixel, progressive scan, CMOS | | | | | | | | | | | | | | | |
| Lens | 2.8 ~ 12mm, AF automatic focusing and motorized zoom lens | | | | | | | | | | | | | | | |
| DORI Distance | <table border="1"> <thead> <tr> <th>Lens (mm)</th> <th>Detect (m)</th> <th>Observe (m)</th> <th>Recognize (m)</th> <th>Identify (m)</th> </tr> </thead> <tbody> <tr> <td>2.8</td> <td>63</td> <td>25.2</td> <td>12.6</td> <td>6.3</td> </tr> <tr> <td>12</td> <td>270</td> <td>108</td> <td>54</td> <td>27</td> </tr> </tbody> </table> | Lens (mm) | Detect (m) | Observe (m) | Recognize (m) | Identify (m) | 2.8 | 63 | 25.2 | 12.6 | 6.3 | 12 | 270 | 108 | 54 | 27 |
| | Lens (mm) | Detect (m) | Observe (m) | Recognize (m) | Identify (m) | | | | | | | | | | | |
| | 2.8 | 63 | 25.2 | 12.6 | 6.3 | | | | | | | | | | | |
| 12 | 270 | 108 | 54 | 27 | | | | | | | | | | | | |
| Angle of View (H) | 91.0° ~ 27° | | | | | | | | | | | | | | | |
| Angle of View (V) | 54.4° ~ 13.7° | | | | | | | | | | | | | | | |
| Angle of View (O) | 118.3° ~ 33.2° | | | | | | | | | | | | | | | |
| Adjustment angle | <table border="1"> <thead> <tr> <th>Pan: 0° ~ 360°</th> <th>Tilt: 0° ~ 90°</th> <th>Rotate: 0° ~ 360°</th> </tr> </thead> <tbody> <tr> <td></td> <td></td> <td></td> </tr> </tbody> </table> | Pan: 0° ~ 360° | Tilt: 0° ~ 90° | Rotate: 0° ~ 360° | | | | | | | | | | | | |
| Pan: 0° ~ 360° | Tilt: 0° ~ 90° | Rotate: 0° ~ 360° | | | | | | | | | | | | | | |
| | | | | | | | | | | | | | | | | |
| Shutter | Auto/Manual, 1 ~ 1/100000s | | | | | | | | | | | | | | | |
| Minimum Illumination | Colour: 0.005Lux (F1.4, AGC ON) 0Lux with IR | | | | | | | | | | | | | | | |
| Day/Night | IR-cut filter with auto switch (ICR) | | | | | | | | | | | | | | | |
| S/N | >55 dB | | | | | | | | | | | | | | | |
| IR Range | Up to 30m (98ft) IR range | | | | | | | | | | | | | | | |
| wavelength | 850nm | | | | | | | | | | | | | | | |
| IR On/Off Control | Auto/Manual | | | | | | | | | | | | | | | |
| Defog | Digital Defog | | | | | | | | | | | | | | | |
| WDR | 120dB | | | | | | | | | | | | | | | |
| Video | | | | | | | | | | | | | | | | |
| Video Compression | Ultra 265, H.264, MJPEG | | | | | | | | | | | | | | | |
| H.264 code profile | Baseline profile, Main Profile, High Profile | | | | | | | | | | | | | | | |
| Frame Rate | Main Stream: 4MP (2592*1520), Max 20fps; 4MP (2560*1440), Max 25fps; 3MP (2048*1520), Max 30fps; Sub Stream: 2MP (1920*1080), Max 30fps; Third Stream: D1 (720*576), Max 30fps | | | | | | | | | | | | | | | |

| | |
|-------------------------|--|
| Video Bit Rate | 128 Kbps~16 Mbps |
| 9:16 Corridor Mode | Supported |
| OSD | Up to 8 OSDs |
| Privacy Mask | Up to 8 areas |
| ROI | Up to 8 areas |
| Motion Detection | Up to 4 areas |
| Image | |
| White Balance | Auto/Outdoor/Fine Tune/Sodium Lamp/Locked/Auto2 |
| Digital noise reduction | 2D/3D DNR |
| Smart IR | Support |
| Flip | Normal/Vertical/Horizontal/180°/90°Clockwise/90°Anti-clockwise |
| Dewarping | Support |
| HLC | Support |
| BLC | Support |
| Audio | |
| Audio Compression | G.711 |
| Two-way audio | Supported |
| Suppression | Supported |
| Sampling Rate | 8KHZ |
| Storage | |
| Edge Storage | Micro SD, up to 256GB |
| Network Storage | ANR, NAS(NFS) |
| Network | |
| Protocols | IPv4, IGMP, ICMP, ARP, TCP, UDP, DHCP, PPPoE, RTP, RTSP, RTCP, DNS, DDNS, NTP, FTP, UPnP, HTTP, HTTPS, SMTP, 802.1x, SNMP, QoS |
| Compatible Integration | ONVIF (Profile S, Profile G, Profile T), API |
| Client | EZStation EZView EZLive |
| Web Browser | Plug-in required live view: IE9+, Chrome 41 and below, Firefox 52 and below Plug-in free live view: Chrome 57.0+, Firefox 58.0+, Edge 16+, Safari 11+ |
| Interface | |
| Audio I/O | Audio cable |
| | Input: impedance 35kΩ; amplitude 2V [p-p] |
| | Output: impedance 600Ω; amplitude 2V [p-p] |
| Alarm I/O | 1/1 |
| Network | 1 RJ45 10M/100M Base-TX Ethernet |
| Video Output | 1 BNC, impedance 75Ω; amplitude 1V [p-p] |
| Certifications | |
| Certifications | CE: EN 60950-1 UL: UL60950-1 FCC: FCC Part 15 |
| General | |
| Power | DC 12V±25%, PoE (IEEE 802.3af) |
| | Power consumption: Max 7.2W |

| | |
|---------------------|--|
| Dimensions (Ø x H) | Φ148 x 111.3mm (Ø5.8" x 4.4") |
| Net Weight | 0.75kg (1.7lb) |
| Material | Shield: PC Bottom plate: metal |
| Working Environment | -40°C ~ 60°C (-40°F ~ 140°F), Humidity: ≤95% RH (non-condensing) |
| Storage Environment | -40°C ~ 60°C (-40°F ~ 140°F), Humidity: ≤95% RH (non-condensing) |
| surge protection | 6KV |
| Ingress Protection | IP67 |
| Vandal Resistant | IK10 |
| Reset Button | Supported |

Dimensions



Accessories

TR-JB04-C-IN



TR-JB07/WM04-B-IN



TR-WM04-IN



TR-FM152-A-IN



TR-SM04-IN



TR-A01-IN



TR-UP06-IN



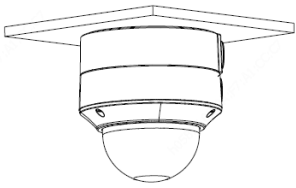
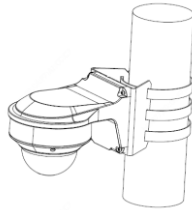
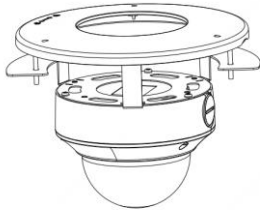
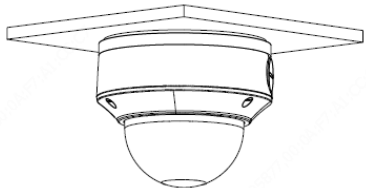

TR-SE24-IN



TR-SE24-A-IN

TR-CM24-IN



| | |
|---|--|
| Junction box | Pole mount |
| TR-JB04-C-IN+TR-A01-IN | TR-JB07/WM04-B-IN (TR-WM04-IN)+ TR-UP06-IN |
|  |  |
| In-ceiling mount | Electric-box Transfer plate |
| TR-FM152-A-IN | TR-SM04-IN |
|  |  |
| Indoor pendent mount | |
| TR-JB04-D-IN+TR-A01-IN+ TR-SE24-IN(TR-SE24-A-IN)+ TR-CM24-IN | |
|  | |

Zhejiang Uniview Technologies Co., Ltd.

Building No.10, Wanlun Science Park, Jiangling Road 88, Binjiang District, Hangzhou, Zhejiang, China (310051)

Email: overseasbusiness@uniview.com; globalsupport@uniview.com

<http://www.uniview.com>

©2019 Zhejiang Uniview Technologies Co., Ltd. All rights reserved.

*Product specifications and availability are subject to change without notice.